

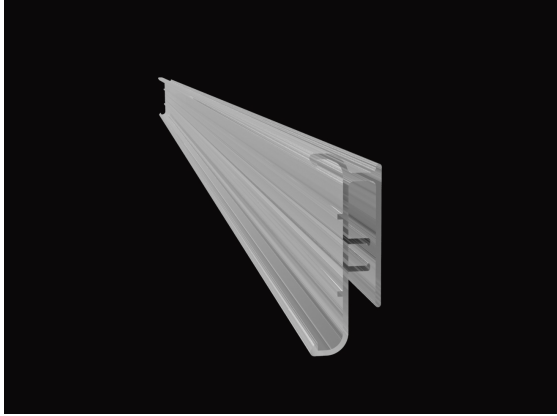


ZKONG

ESL ACCESSORIES 2022

PVC Rail Datasheet

According to different shapes of shelf size selection

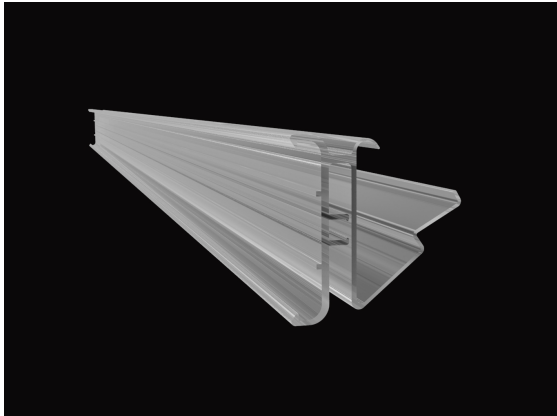


PVC Rails 1#

Common model, works in most scenarios (for existing rails of paper price labels)

Pkg of 150

36.5*13*L (mm)

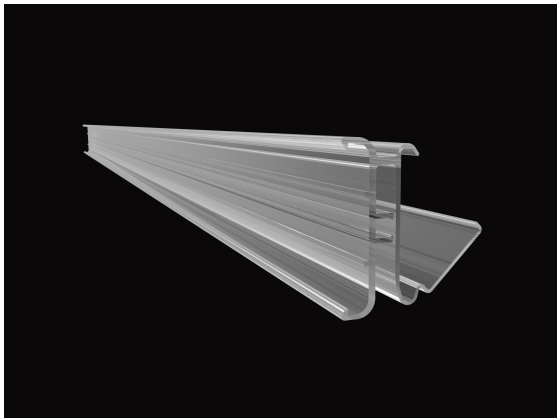


PVC Rails 2#

Optional according to shelf front structure

Pkg of 150

36.5*34.7*L (mm)

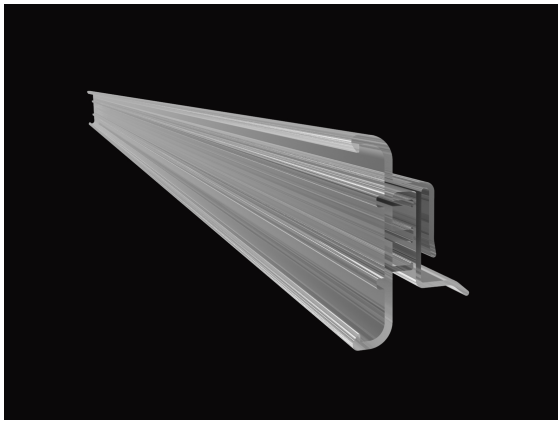


PVC Rails 3#

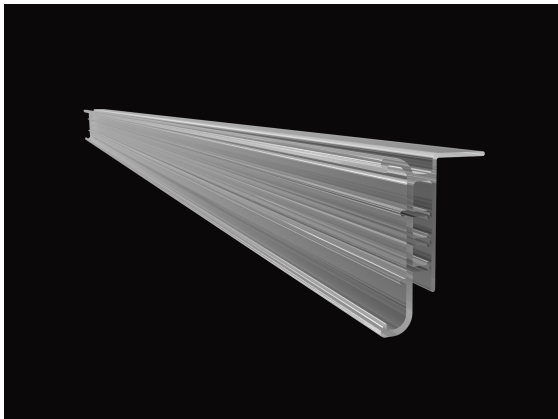
Optional according to shelf front structure

Pkg of 150

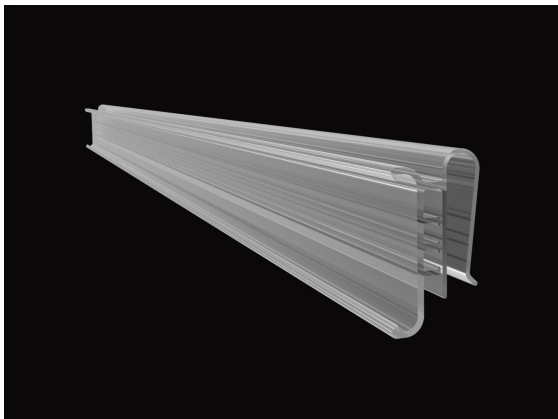
36.5*32.7*L (mm)



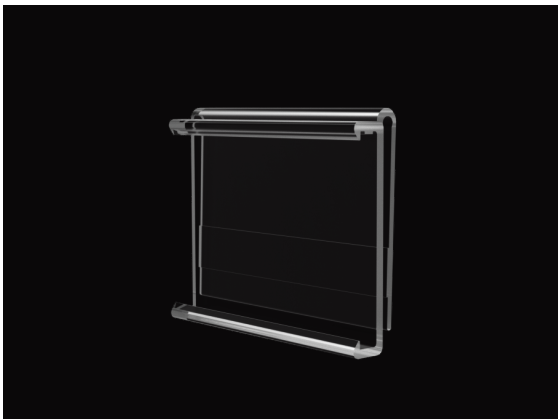
PVC Rails 4#	
Optional according to shelf front structure	Pkg of 150
	37.5*13*L (mm)



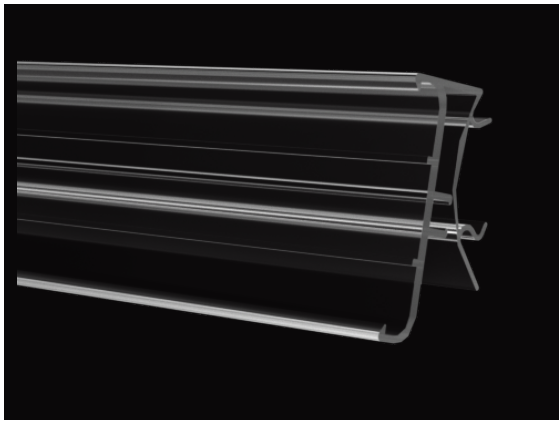
PVC Rails 5#	
Suitable for wooden shelf ply, fixed with 3M double sided tape	Pkg of 150
	37.5*25*L (mm)



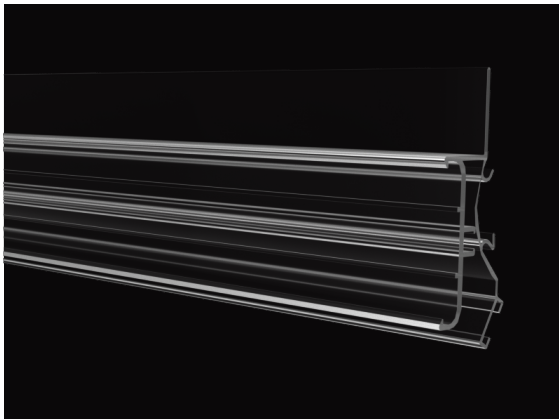
PVC Rails 6#	
Suitable for use on daily dispensing freezers with its own paper price labels(openings facing downwards)	Pkg of 150
	37.5*21*L (mm)



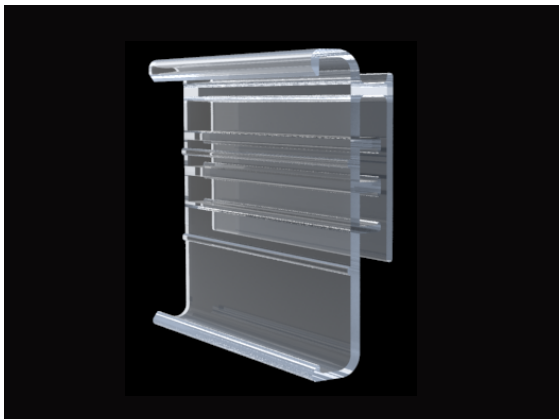
PVC Rails 7#	
Suitable for rails with its own paper price label (fixed individual price label use)	Pkg of 150
	50*39*L (mm)



PVC Rails 8#	
Optional according to shelf front structure	Pkg of 150
	36.5*20.3*L (mm)



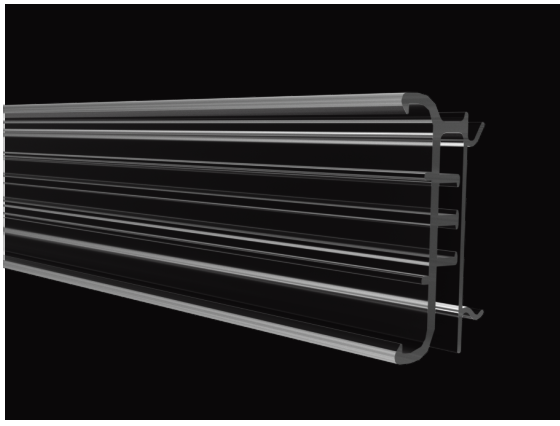
PVC Rails 9#	
Optional according to shelf front structure	Pkg of 150
	60.8*22.6*L (mm)



PVC Rails 10#	
Suitable for rails with its own paper price label (fixed individual price label use)	Pkg of 150
	44.2*13.2*L (mm)



PVC Rails 11#	
Suitable for glass such as fish tanks, independent use	Pkg of 150
	37.5*25.8*L (mm)

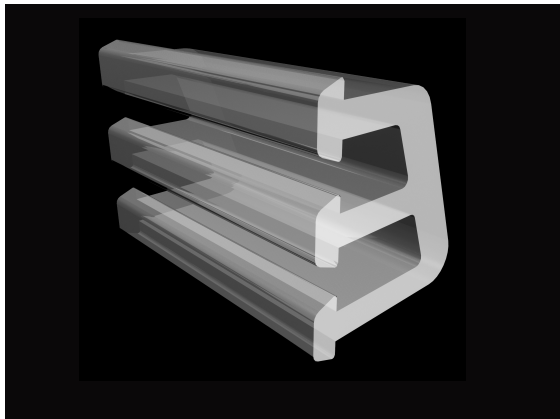


PVC Rails 12#

Optional according to shelf front structure

Pkg of 150

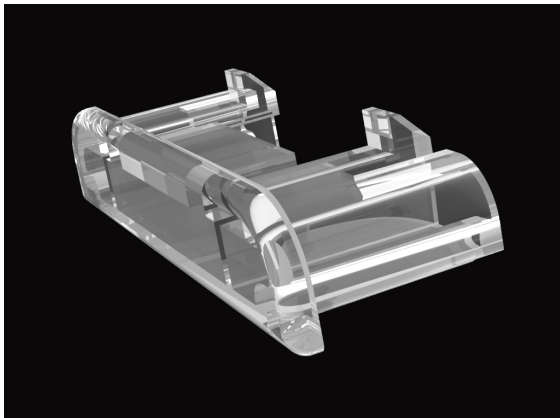
37.5*17.1*L (mm)



Adjustable Angle pieces

the tool for adjust the angle

16.2*13.2*23(mm)



Mounting

prevent the labels fall from pvc rails

32*14*11 (mm)

Individual Holders

According to different shapes of shelf size selection

suitable for various areas



Pole bracket

Provides solid sustain from 1 to 1.5 m above the ground

180*160*500 (mm)



Ring

Suitable for ZKD77 segment code screen

100*48*52.5 (mm)



Ice-Pin

Suitable for frozen area such as frozen seafood

79*54*128 (mm)



Holder 1#

Suitable for flat countertops,
e.g. centre island counters in
3C shops,cosmetic shops

50*23*34.3 (mm)



Holder 2#

Suitable for flat countertops,
e.g. centre island counters in
3C shops,cosmetic shops

61.6*62.3*84.6 (mm)



Holder 3#

Box frames for bulk weighing
goods, 12 to 25 mm thick

43*41*40 (mm)



Holder 4#

Box frames for bulk weighing
goods, 3 to 10mm thick

43*41*26 (mm)



Holder-5

For wall mounting or flat surfaces (e.g. fridge doors)

55*38*10 (mm)



Holder-6

use with T hook for 5.8/7.5

96.5*73.7*72.1 (mm)



Holder-7

Holder for 10.2/11.6/13.3 label on plain desktop

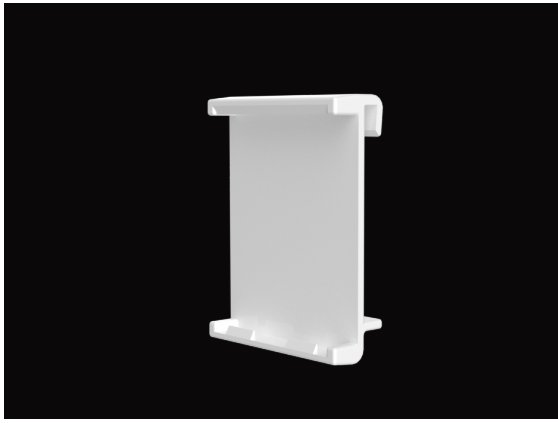
121.6*125.4*107.5(mm)



T hook

For round rods with a diameter of $\varnothing 10 \pm 1\text{mm}$

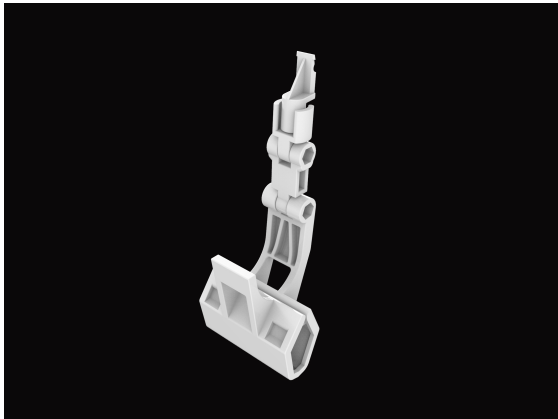
36*20.7*52



Clamp-1	
For clamping horizontal ply	37.9*9.7*29 (mm)



Clamp-2	
For clamping horizontal ply	40.4*20.6*29 (mm)



Clamp-3	
PVC plastic peg hook holder which can be adapted to all kinds of "T hooks". 4 angles adjustment, position is steady.ESL is locked in the peg hookholder. Compatible withContinuum & SmartTAG	54.5*43*140.8
	4 positions
	pkg of 50



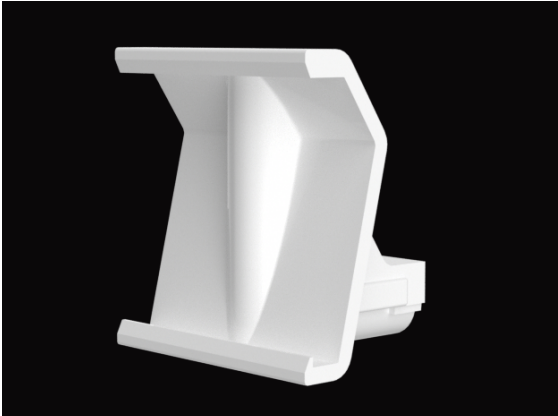
Smartclip	
Attach to rails, use with promotional cards	34.6*25.1*13 (mm)



Withdrawal tool

For the removal of the price label from the rail and the removal of the battery cover

106*22*20 (mm)



T holder

clamp the shelf

32*35*38 (mm)



Rings-2

Suitable for aquaculture or frozen area

180.2*175.6*48 (mm)