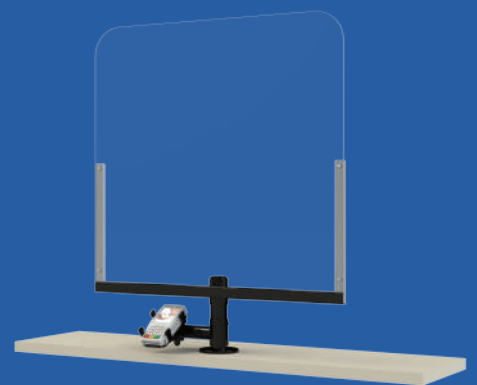


Ολοκληρωμένες λύσεις  
για σύγχρονες επιχειρήσεις

**iRPOS**

PROTECTIVE SHIELD  
AGAINST VIRUS & BACTERIA





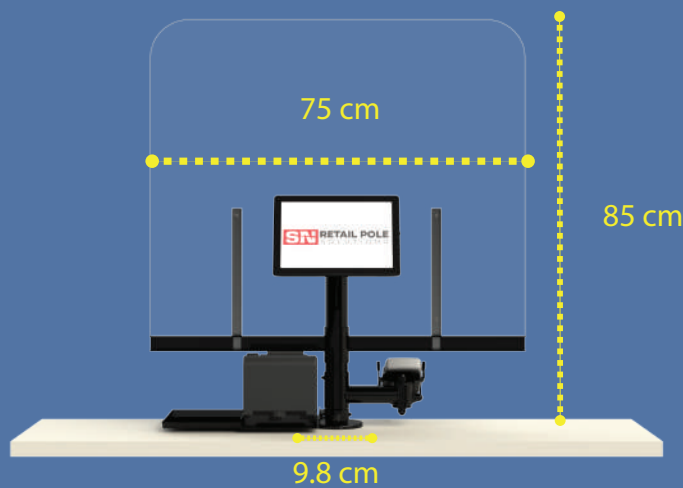
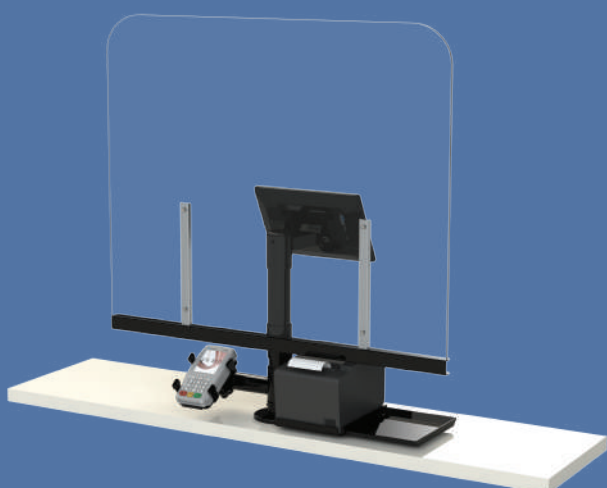
## PROTECTIVE SHIELD (ALL IN ONE + PROTECTIVE)

Protective screen solution that integrated with all in one point of sale.

This solution allows our new protective screens to seamlessly fit over the current point of sale area.

Facilitate for contactless payment as protect and keep your employees/customers away from any contact during these unprecedented times.

Dimension Protection	75W x 71H (mm)
Pole Height	SNS-P#400 (400 mm)
VESA Holder	SNS-V#201
Printer Plate	SNS-Printer
Pin Pad Holder	Arm length 130 mm / All payment terminal plate available
Installation	4 Screws (ISO 7050 4.2 x 16) or 3M Adhesive (included in the solution)
PlateCashChange	Available upon request
PLexiglass thickness	2.5 (mm)





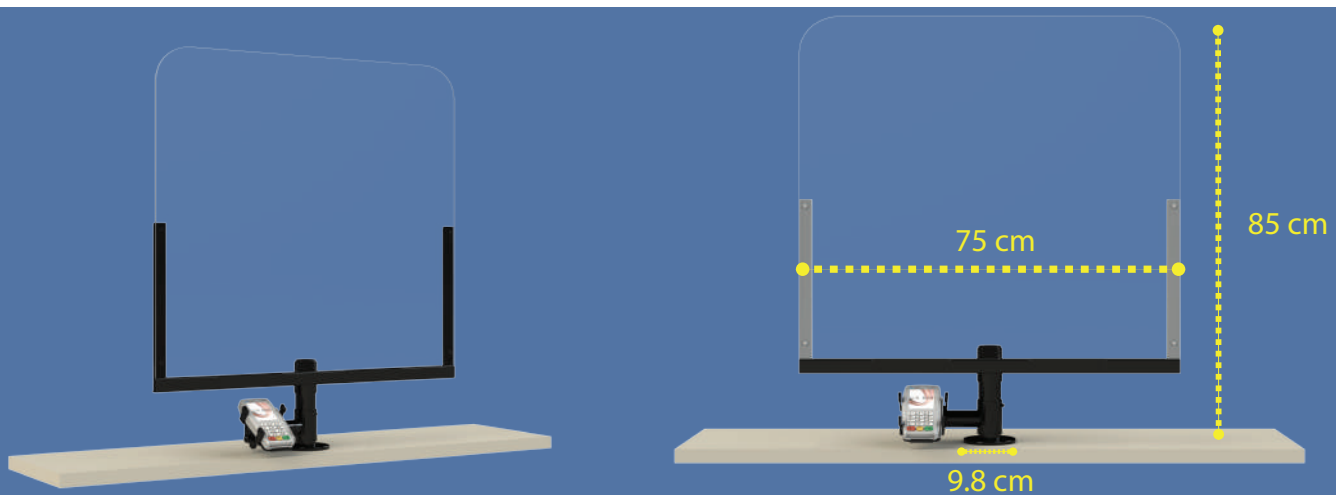
## PROTECTIVE SHIELD 2.0 (PROTECTIVE + PAYMENT)

Protective screen solution that integrated the current POS or Cash register.

This solution allows our new protective screens to seamlessly fit over the current point of sale area.

Facilitate for contactless payment as protect and keep your employees/customers away from any contact during these unprecedented times.

Dimension Protection	75W x 70H (mm)
Pole Height	SNS-P#200 (200 mm) or SNS-P#400 (400 mm)
Color	Black, White, Custom
Pin Pad holder	Arm length 130 mm / All payment terminal plate available
Installation	4 Screws (ISO 7050 4.2 x 16) or 3M Adhesive (included in the solution)
Plate Cash Change	Available upon request
PLexiglass thickness	2.5 (mm)







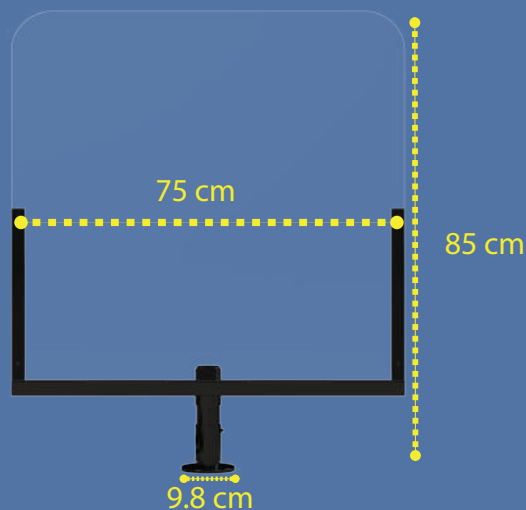
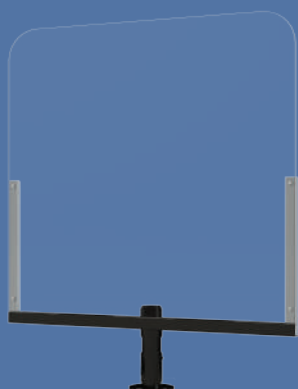
## PROTECTIVE SHIELD

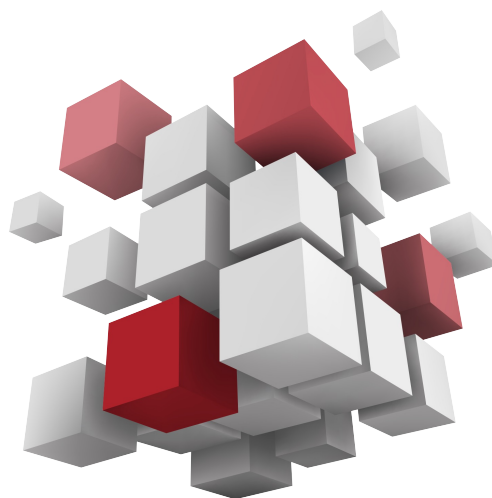
Protective screen solution that integrate current POS or Cash register.

This solution allows our new protective screens to seamlessly fit over the current point of sale area.

Facilitate for contactless payment as protect and keep your employees/customers away from any contact during these unprecedented times.

Dimension Protection	75W x 70H (mm)
Pole Height	SNS-P#200 (200 mm) or SNS-P#400 (400 mm)
Color	Black, White, Custom
Installation	4 Screws (ISO 7050 4.2 x 16) or 3M Adhesive (included in the solution)
Plate Cash Change	Available upon request
PLexiglass thickness	2.5 (mm)





TAMIAKI L.T.D.  
188 FILOLAOU STR. ATHENS  
GREECE 11632  
SALESDPT@TAMIAKI.GR  
TEL : + 30 210 75 60 230  
MOB: + 6936673238  
WWW.WINPOS.GR

